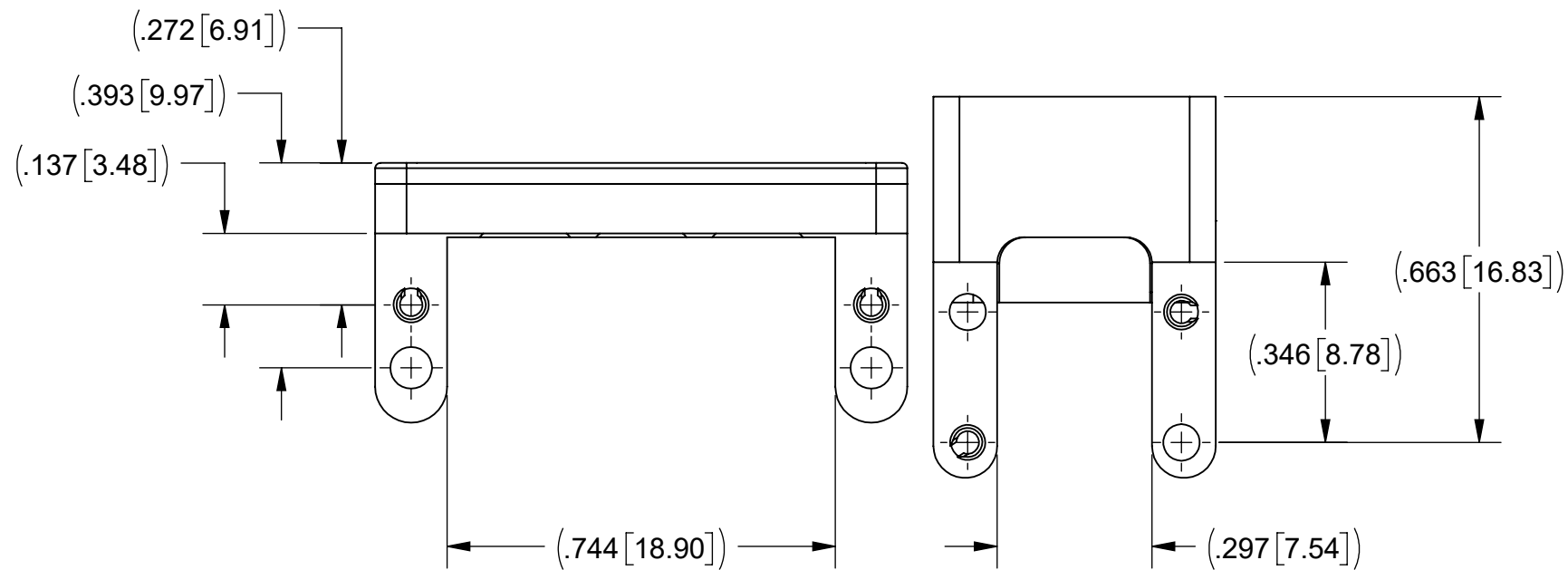
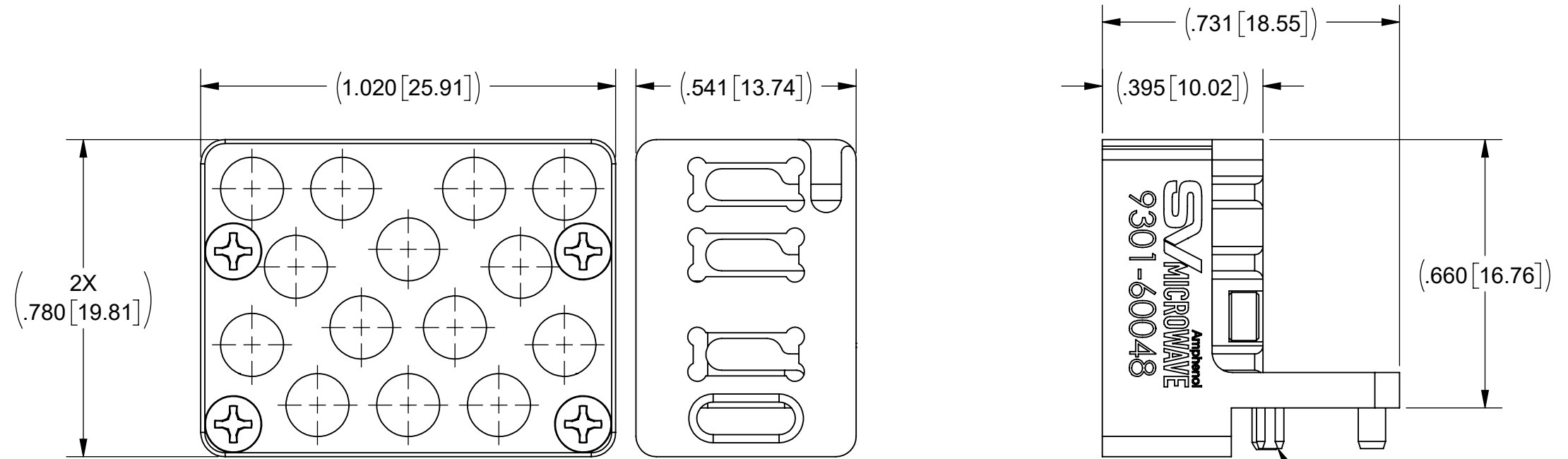
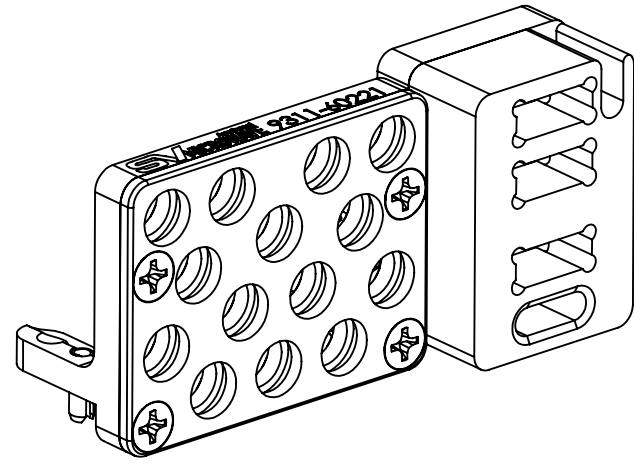


REVISION HISTORY			
REV	DESCRIPTION	DATE	APPROVED
C	DCN 52809	08/23	SEE PDM

PRODUCT DATA DRAWING



4X
 $\varnothing .6750 \pm .0015$ [1.71 ± 0.04]
 SPRING PIN

- NOTES:**
 1. DESIGNED TO WORK WITH 9321-60109

COMPONENTS:

MODULE: VITA 67.3 PLUG-IN MODULE C, 14 PORT, SMPM (9311-60221)
 3 PORT FIBER MT PLUG-IN MODULE VITA 66.5 (9301-60048)

MATERIAL: SEE NOTES	DIMENSIONS ARE IN INCHES TOLERANCES: FRACTIONAL: $\pm 1/64$ ANGULAR: X° $\pm 1'0''$ X°X' $\pm 15''$	UNLESS OTHERWISE SPECIFIED 1) ALL DIMENSIONS ARE IN INCHES (MILLIMETERS) 2) ALL DIMENSIONS ARE AFTER PLATING. 3) BREAK CORNERS & EDGES .005 R. MAX. 4) CHAM. 1ST & LAST THREADS. 5) SURFACE ROUGHNESS 63-MIL-STD-10. 6) DIA: 'S ON COMMON CENTERS TO BE CONCENTRIC WITHIN .005 T.I.R. 7) REMOVE ALL BURRS	 www.svmicrowave.com TITLE: 66.5 VITA PLUG-IN HYBRID MODULE E, 14 PORT, SMPM
FINISH: SEE NOTES	DECIMAL: X $\pm .030$.XX $\pm .010$.XXX $\pm .005$	INTERPRET DIMENSIONS AND TOLERANCES PER ASME Y14.5M - 1994	
SURFACE AREA: N/A	THIRD ANGLE PROJECTION	DRAWN: KRR 12/11/20	SIZE DWG. NO. B 9311-60215
PROPRIETARY THE INFORMATION CONTAINED IN THIS DRAWING IS THE SOLE PROPERTY OF SV MICROWAVE, INC. ANY REPRODUCTION IN PART OR AS A WHOLE WITHOUT THE WRITTEN PERMISSION OF SV MICROWAVE, INC IS PROHIBITED.		CHECKED: SEE PDM	SCALE: 3:1
		APPROVED: SEE PDM	SHEET 1 OF 1