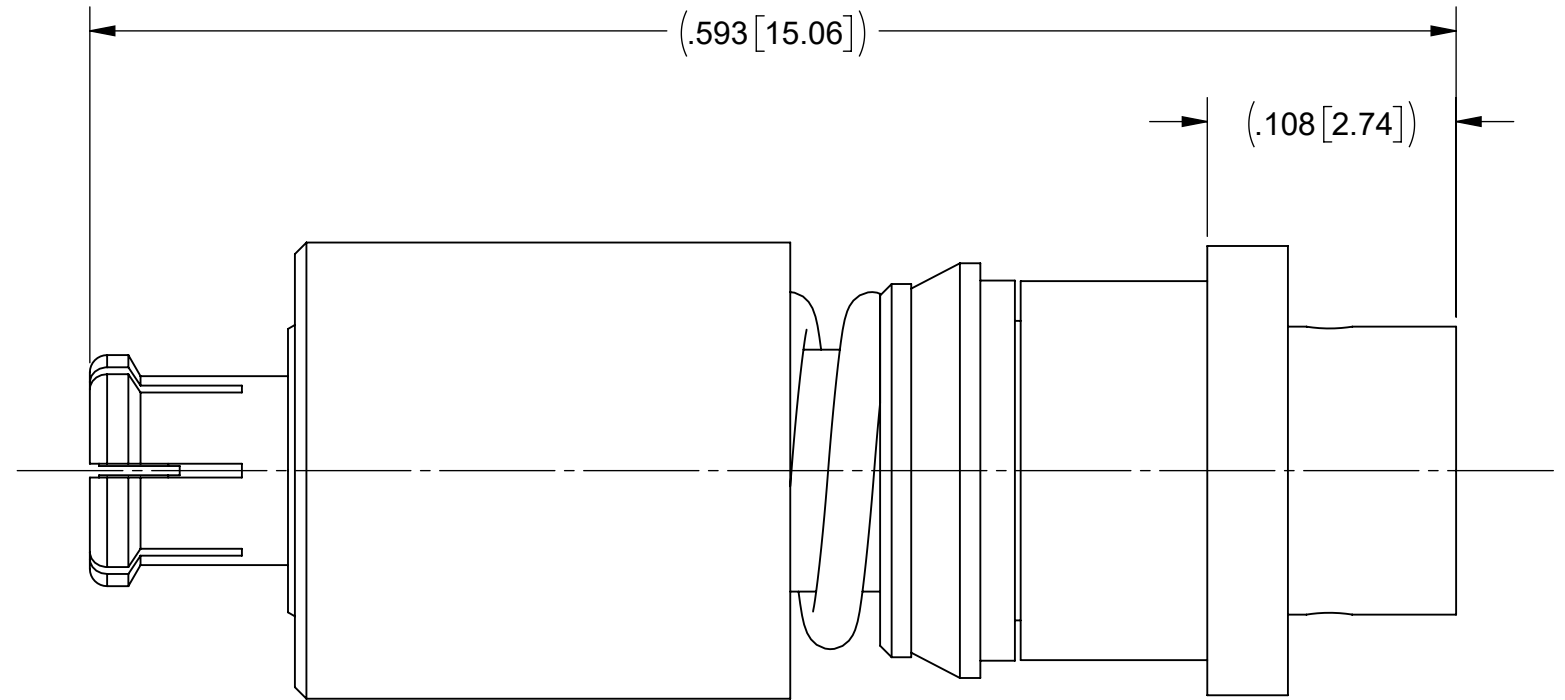
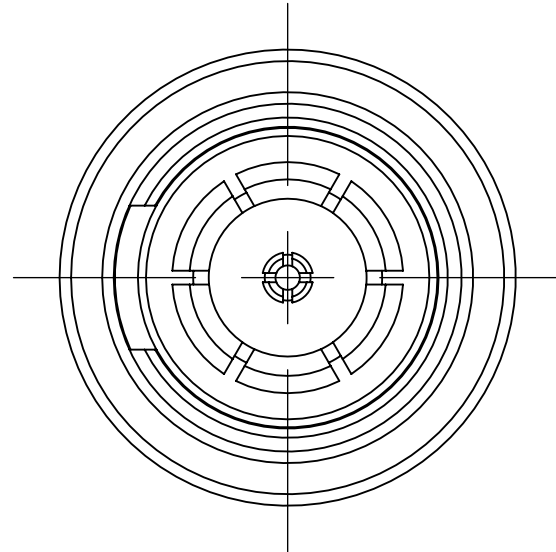
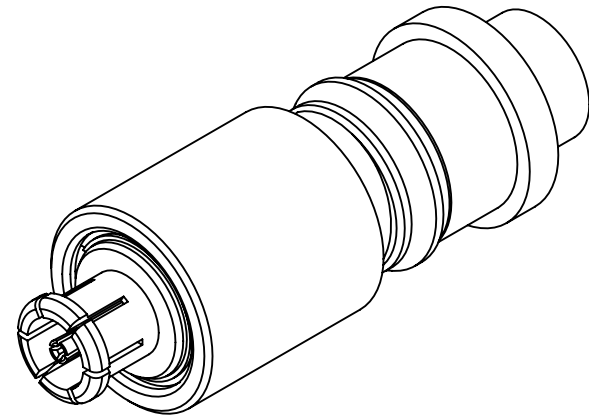


REVISION HISTORY			
REV	DESCRIPTION	DATE	APPROVED
-	NRN 48124	3/24	SEE PDM

PRODUCT DATA DRAWING



MATERIAL:

BODY, FERRULE, CLIP, RING & CONTACT: BERYLLIUM COPPER PER ASTM B196, ALLOY No. UNS C17300, TD04

INSULATORS: PTFE PER ASTM D1710, TYPE I, GRADE 1, CLASS B

SLEEVE: STAINLESS STEEL PER AMS-5678, ALLOY UNS S17700

ALIGNMENT SLEEVE: STAINLESS STEEL PER ASTM A838 ALLOY 2, TYPE 430FR

SPRING: 302 STAINLESS STEEL PER ASTM A313

FINISH:

BODIES & CONTACTS: GOLD PER ASTM B488, TYPE II, CODE C, CLASS 1.27, OVER NICKEL PER AMS-QQ-N-290, CLASS 1, .00005" MIN.

SLEEVE & ALIGNMENT SLEEVE: PASSIVATED PER AMS 2700

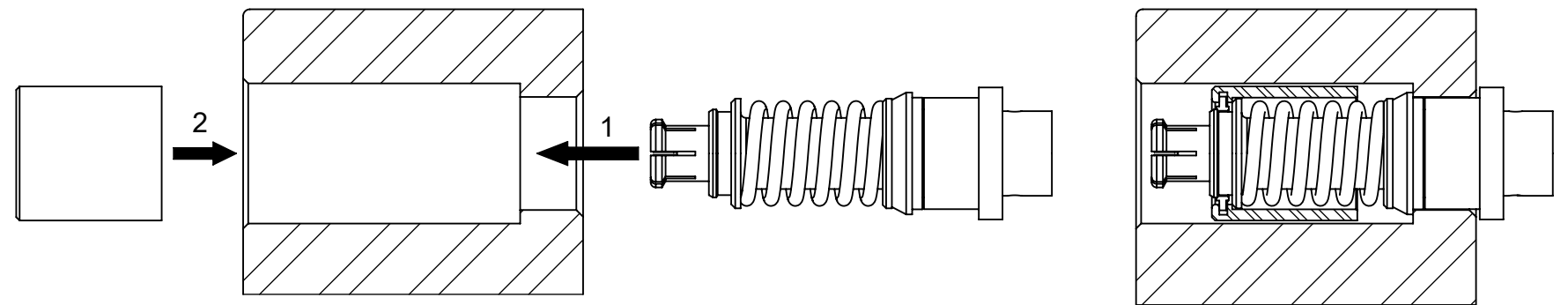
RING: NICKEL PER AMS-QQ-N-290, CLASS 1, GRADE G

PERFORMANCE:

IMPEDANCE: 75 OHMS
FREQ. RANGE: DC TO 18.0 GHZ.


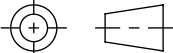
NOTES:

- FOR USE IN VITA 67.3 BACKPLANE MODULE SF9321-60086 OR SIMILAR.
- MATES TO CONTACT 7511-60001 OR SIMILAR.
- INSERTION/REMOVAL TOOL P/N 500-32-050.



INSTALLATION

ASSEMBLED

MATERIAL: SEE NOTES	DIMENSIONS ARE IN INCHES TOLERANCES: FRACTIONAL: $\pm 1/64$ ANGULAR: X° $\pm 1'0''$ X'X' $\pm 15'$	UNLESS OTHERWISE SPECIFIED 1) ALL DIMENSIONS ARE IN INCHES (MILLIMETERS) 2) ALL DIMENSIONS ARE AFTER PLATING. 3) BREAK CORNERS & EDGES .005 R. MAX. 4) CHAM. 1ST & LAST THREADS. 5) SURFACE ROUGHNESS 63-MIL-STD-10. 6) DIA.'S ON COMMON CENTERS TO BE CONCENTRIC WITHIN .005 T.I.R. 7) REMOVE ALL BURRS	 www.svmicrowave.com TITLE: 75 OHM STR. SPMP F VITA 67.3 BACKPLANE CONNECTOR FOR BELDEN1672A CABLE
FINISH: SEE NOTES	DECIMAL: X $\pm .030$.XX $\pm .010$.XXX $\pm .005$	INTERPRET DIMENSIONS AND TOLERANCES PER ASME Y14.5M - 1994	
SURFACE AREA: N/A	THIRD ANGLE PROJECTION	DRAWN: SSR 3/5/24	SIZE DWG. NO. B 7521-40002
PROPRIETARY THE INFORMATION CONTAINED IN THIS DRAWING IS THE SOLE PROPERTY OF SV MICROWAVE, INC. ANY REPRODUCTION IN PART OR AS A WHOLE WITHOUT THE WRITTEN PERMISSION OF SV MICROWAVE, INC IS PROHIBITED.		CHECKED: SEE PDM	SCALE: 12:1
		APPROVED: SEE PDM	SHEET 1 OF 1