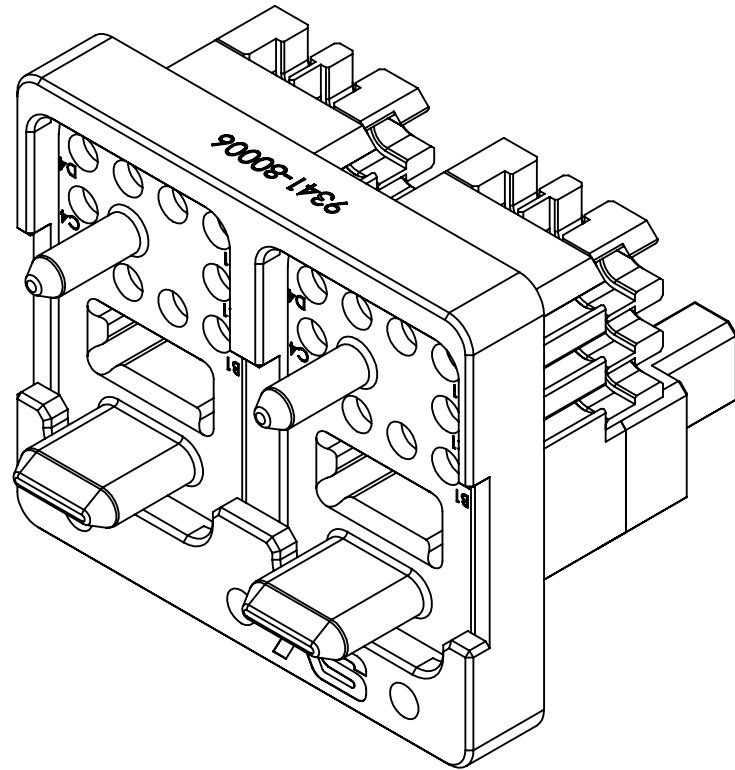


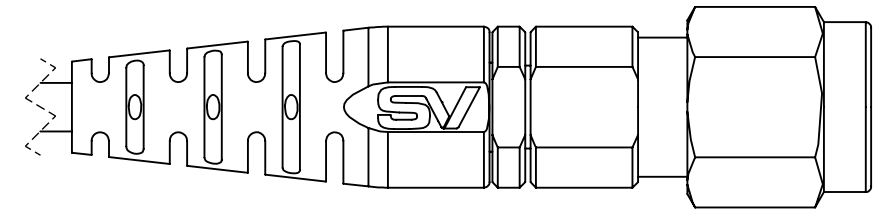
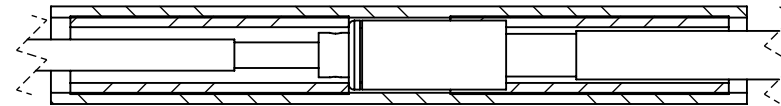
REVISION HISTORY			
REV	DESCRIPTION	DATE	APPROVED
-	RELEASE	07/24	SEE PDM

# V673-NANO-BP-20-X



**V67.3 NANORF 20POS  
BACKPLANE MODULE**

**PN: 9341-8006 QTY: 1**



**V67.3 NANORF BACKPLANE CONTACT  
TO 2.92mm MALE  
Ø.047 / SV087LL CABLE ASSEMBLY  
USING CONVERGERF SPLICE**

**PN: 7083-0027-0240 QTY: X**



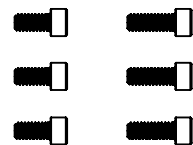
**5/64" ALLEN DRIVER  
QTY: 1**



**.050" ALLEN DRIVER  
QTY: 1**



**.100" SLOTTED DRIVER  
QTY: 1**



**18-8 STAINLESS STEEL  
2-56 MOUNTING SCREWS  
QTY: 3X .188" LONG, 3X .250" LONG**

MATERIAL: SEE NOTES	DIMENSIONS ARE IN INCHES TOLERANCES: FRACTIONAL: ±1/64 ANGULAR: X° ±1'0" X°X' ±15'	UNLESS OTHERWISE SPECIFIED 1) ALL DIMENSIONS ARE IN INCHES (MILLIMETERS) 2) ALL DIMENSIONS ARE AFTER PLATING. 3) BREAK CORNERS & EDGES .005 R. MAX. 4) CHAM. 1ST & LAST THREADS. 5) SURFACE ROUGHNESS 63-MIL-STD-10. 6) DIA. 'S ON COMMON CENTERS TO BE CONCENTRIC WITHIN .005 T.I.R. 7) REMOVE ALL BURRS	 <b>TITLE: VITA 67.3 NANORF 20POS BACKPLANE DEVELOPER'S KIT</b>
FINISH: SEE NOTES	DECIMAL: X ±.030 .XX ±.010 .XXX ±.005	INTERPRET DIMENSIONS AND TOLERANCES PER ASME Y14.5M - 1994	
SURFACE AREA: N/A	THIRD ANGLE PROJECTION 	DRAWN: DAL 07/31/24	<b>SIZE DWG. NO. V673-NANO-BP-20-X</b> SCALE: 3:1 SHEET 1 OF 1
<b>PROPRIETARY</b> THE INFORMATION CONTAINED IN THIS DRAWING IS THE SOLE PROPERTY OF SV MICROWAVE, INC. ANY REPRODUCTION IN PART OR AS A WHOLE WITHOUT THE WRITTEN PERMISSION OF SV MICROWAVE, INC IS PROHIBITED.		CHECKED: SEE PDM	
		APPROVED: SEE PDM	