

SV Microwave

3301 ELECTRONICS WAY
WEST PALM BEACH, FL. 33407

SV Microwave

3301 ELECTRONICS WAY
WEST PALM BEACH, FL. 33407

CONNECTOR TYPE....CABLED SOLDER ATTACHMENT

CONNECTOR TYPE....CABLED SOLDER ATTACHMENT

CABLE TYPE.....SEMI-RIGID CABLE

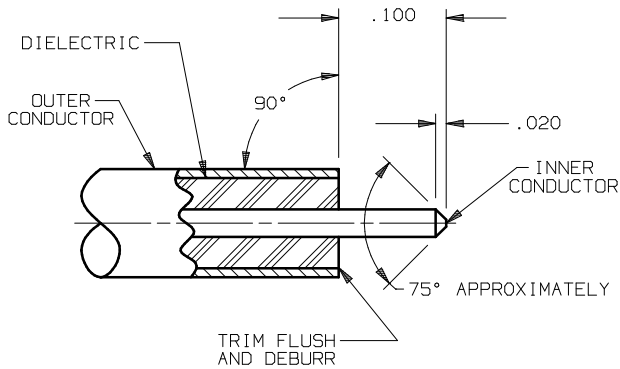
CABLE TYPE.....SEMI-RIGID CABLE

NOTE:
TO MINIMIZE CABLE INSULATOR GROWTH DURING SOLDER OPERATION NORMALIZE CABLE (THERMAL SHOCK CABLE PER MIL-STD-202, METHOD 107, COND. B) PRIOR TO FINAL TRIM. PARA.1.0.

NOTE:
TO MINIMIZE CABLE INSULATOR GROWTH DURING SOLDER OPERATION NORMALIZE CABLE (THERMAL SHOCK CABLE PER MIL-STD-202, METHOD 107, COND. B) PRIOR TO FINAL TRIM. PARA.1.0.

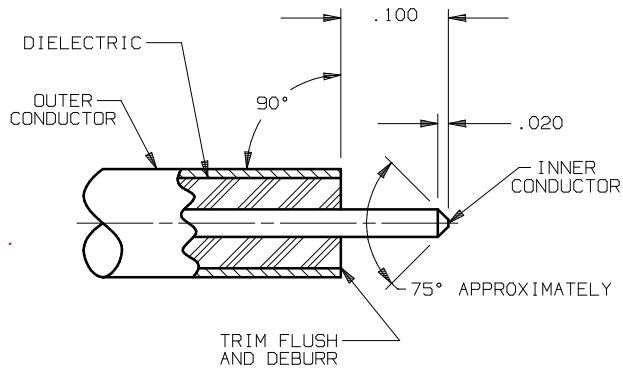
CABLE PREPARATION

- 1.0 PREPARE CABLE END
 - 1.1 TRIM CABLE OUTER CONDUCTOR AND DIELECTRIC TO DIMENSIONS SHOWN. CHAMFER INNER CONDUCTOR TO CONFIGURATION SHOWN (FILING IS ACCEPTABLE). DO NOT NICK INNER CONDUCTOR.

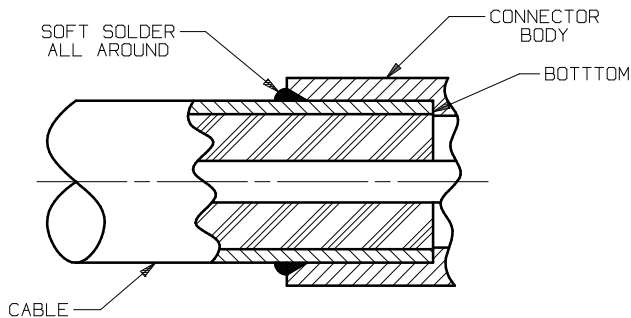


CABLE PREPARATION

- 1.0 PREPARE CABLE END
 - 1.1 TRIM CABLE OUTER CONDUCTOR AND DIELECTRIC TO DIMENSIONS SHOWN. CHAMFER INNER CONDUCTOR TO CONFIGURATION SHOWN (FILING IS ACCEPTABLE). DO NOT NICK INNER CONDUCTOR.



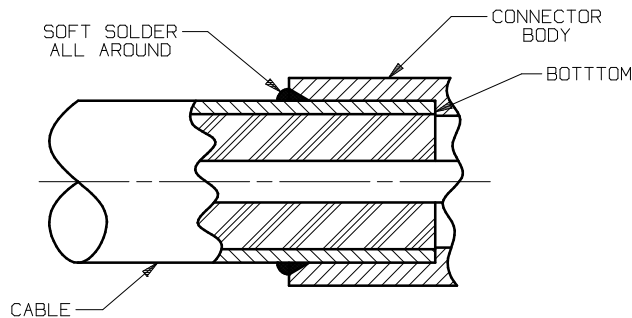
FINAL ASSEMBLY



- 2.0 SOLDER CABLE TO BODY
 - 2.1 INSTALL TRIMMED CABLE INTO CONNECTOR BODY SO THAT CABLE BOTTOMS ON CONNECTOR BODY SHOULDER AS SHOWN.
 - 2.2 SOFT SOLDER CABLE OUTER CONDUCTOR TO CONNECTOR BODY.

CABLE ASSEMBLY INSTRUCTIONS 300-80-031.

FINAL ASSEMBLY



- 2.0 SOLDER CABLE TO BODY
 - 2.1 INSTALL TRIMMED CABLE INTO CONNECTOR BODY SO THAT CABLE BOTTOMS ON CONNECTOR BODY SHOULDER AS SHOWN.
 - 2.2 SOFT SOLDER CABLE OUTER CONDUCTOR TO CONNECTOR BODY.

CABLE ASSEMBLY INSTRUCTIONS 300-80-031.

SIZE A	CODE IDENT.	95077	DWG. NO.	300-80-031
			SYM.	A
			DESCRIPTION	REV. DCN F7300
				REV. DCN 21975
				REV. DCN 27102
			DATE	8/79
			APPR.	DGG
			CHECKED:	JUD 10/20/76
			APPROVED:	DGG 10/25/76
			REDRAWN:	DWC 7/24/95
			TITLE: SEMI-RIGID CABLE ASSEMBLY INSTRUCTIONS	
			SV Microwave, Inc. 3301 Electronics Way West Palm Beach, FL, 33407	