



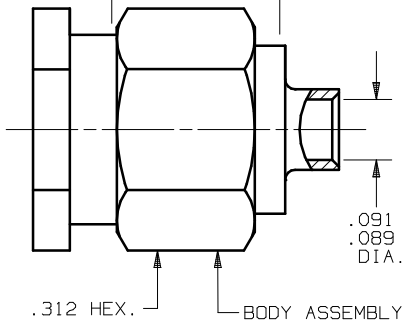
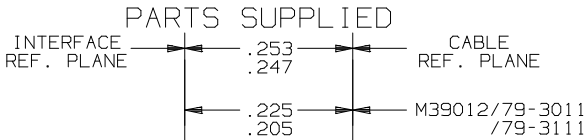
SV Microwave, INC.

MARK LABEL PER PARTS LIST

CONNECTOR TYPE.... SMA PLUG M39012/79
SOLDER ATTACHMENT

CABLE TYPE..... .085 SEMI-RIGID
(RG-405)

NOTE: TO MINIMIZE CABLE DIELECTRIC GROWTH
DURING SOLDERING OPERATION, NORMALIZE
CABLE(THERMAL SHOCK MIL-STD-202,
METHOD 107, COND. B) PRIOR TO FINAL TRIM.
PARA. 1.0.



UNFOLD FOR ASSEMBLY INSTRUCTIONS
CABLE ASSEMBLY PART NUMBER 300-80-298.

SYM.	DESCRIPTION	DATE	APPR.
-	REL. DCN F7945	09/80	ND
A	REV. DCN 25805	01/00	SW
B	REV. DCN 30187	07/03	STM

UNLESS OTHERWISE SPECIFIED:
 1) ALL DIMENSIONS ARE AFTER PLATING.
 2) BREAK CORNERS & EDGES .005 R. MAX.
 3) CHAM. 1st & LAST THDS.
 4) SURFACE ROUGHNESS 63 / MIL-STD-10.
 5) DIAS. ON COMMON CENTERS TO BE
 CONCENTRIC WITHIN N/A T.I.R.
 6) REMOVE ALL BURRS.

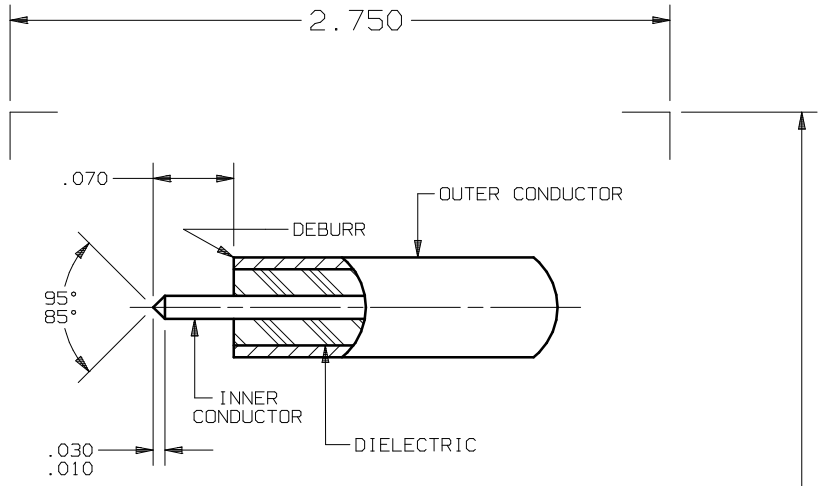
REDRAWN: BRT 1/05/00
 CHECKED: ND 9/26/80
 APPROVED: ND 9/26/80

DIMENSIONS ARE IN INCHES		TOLERANCES:		ANGULAR	
DECIMALS	FRACTIONAL				
.X ±.030		±1/64		X° ±1.0'	
.XX ±.015				X°X' ±15"	
.XXX ±.005					
FINISH:	N/A	AREA:	N/A	SCALE	N/A
SIZE	CODE IDENT.				
A	95077				

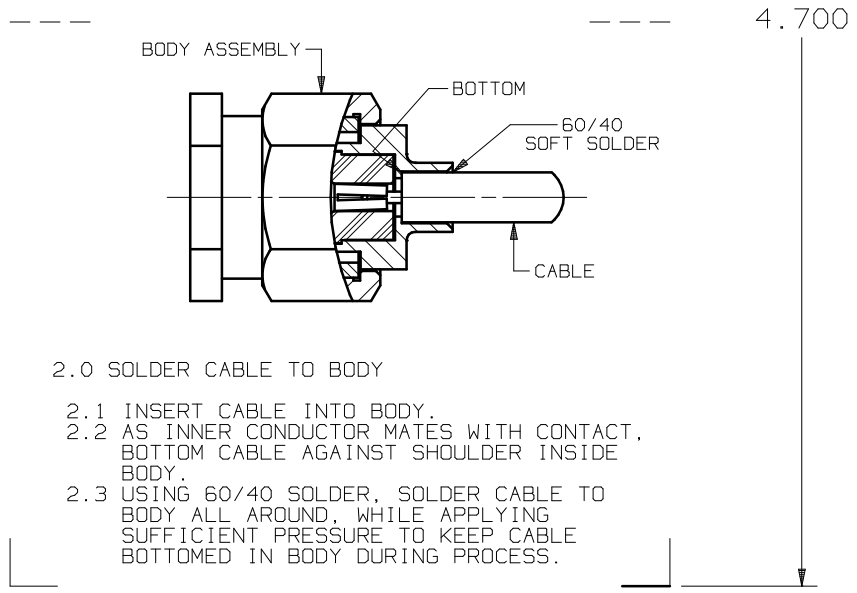
SV Microwave, Inc.
 2400 Centrepark West Drive, Suite 100
 West Palm Beach, FL 33409

TITLE:
CABLE ASSEMBLY INSTRUCTIONS

DMG. NO.
 SHT. 1 OF 2
300-80-298



- 1.0 PREPARE CABLE END
- 1.1 TRIM CABLE OUTER CONDUCTOR, DIELECTRIC AND INNER CONDUCTOR TO DIMENSION SHOWN. DO NOT NICK INNER CONDUCTOR.



- 2.0 SOLDER CABLE TO BODY
- 2.1 INSERT CABLE INTO BODY.
- 2.2 AS INNER CONDUCTOR MATES WITH CONTACT, BOTTOM CABLE AGAINST SHOULDER INSIDE BODY.
- 2.3 USING 60/40 SOLDER, SOLDER CABLE TO BODY ALL AROUND, WHILE APPLYING SUFFICIENT PRESSURE TO KEEP CABLE BOTTOMED IN BODY DURING PROCESS.

SYM.	DESCRIPTION	DATE	APPR.
-	REL. DCN F7945	09/80	ND
A	REV. DCN 25805	01/00	SW
B	REV. DCN 30187	07/03	STM

UNLESS OTHERWISE SPECIFIED:
 1) ALL DIMENSIONS ARE AFTER PLATING.
 2) BREAK CORNERS & EDGES .005 R. MAX.
 3) CHAM. 1st & LAST THDS.
 4) SURFACE ROUGHNESS 63 / MIL-STD-10.
 5) DIAS. ON COMMON CENTERS TO BE CONCENTRIC WITHIN N/A T.I.R.
 6) REMOVE ALL BURRS.

REDRAWN: BRT 1/05/00
 CHECKED: ND 9/26/80
 APPROVED: ND 9/26/80

DIMENSIONS ARE IN INCHES	
DECIMALS	TOLERANCES:
.X ±.030	FRACTIONAL
.XX ±.015	±1/64
.XXX ±.005	
MATERIAL:	N/A
FINISH:	N/A
AREA:	N/A
ANGULAR	X° ±1.0°
	X'X' ±15'

SIZE	CODE IDENT.	SCALE
A	95077	N/A

SV Microwave, Inc.
 2400 Centrepark West Drive, Suite 100
 West Palm Beach, FL 33409

TITLE: CABLE ASSEMBLY INSTRUCTIONS
 DMG. NO. 300-80-298
 SHT. 2 OF 2