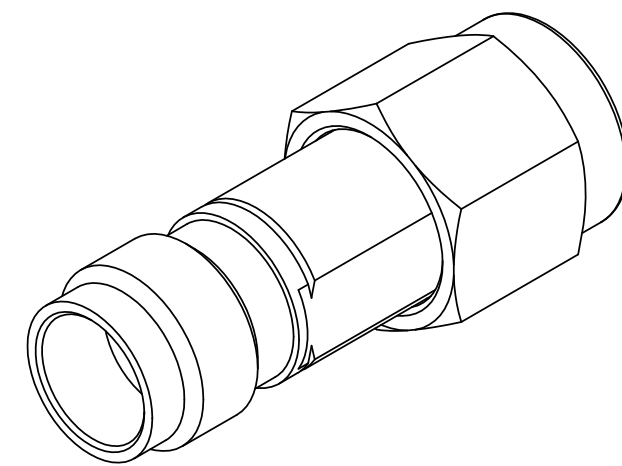
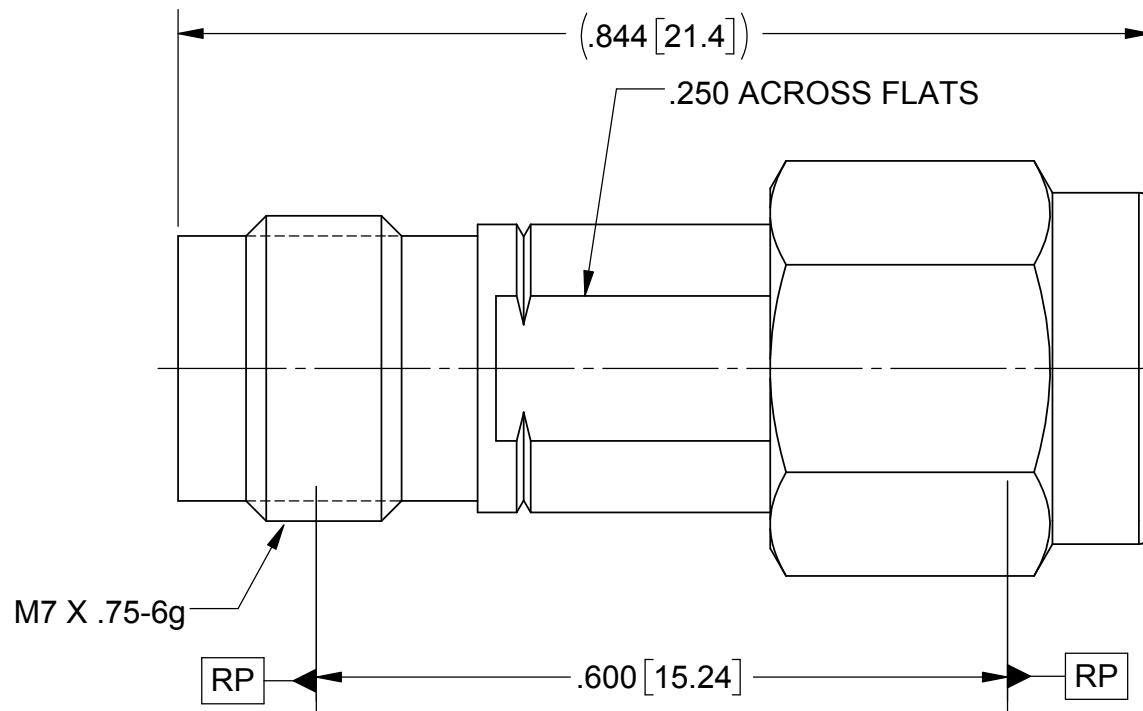
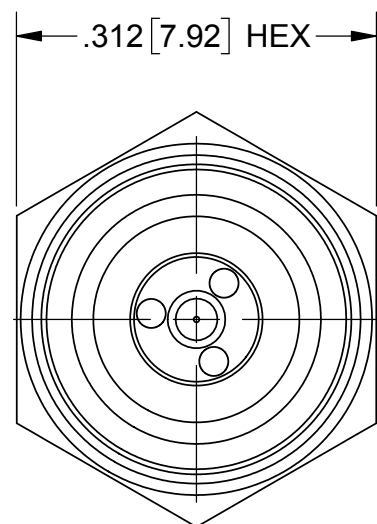


PRODUCT DATA DRAWING

REVISION HISTORY			
REV	DESCRIPTION	DATE	APPROVED
B	REV DCN 48353	02/05/19	STW



- MATERIAL: STAINLESS STEEL PER AMS 5640, ALLOY UNS S30300, TYPE 1 OR ASTM A582, TYPE 303, CONDITION A.
- BODY, INSERTS & COUPLING NUT: BERYLLIUM COPPER PER ASTM B196, ALLOY No. UNS C17300, TD04.
- CONTACT: BERYLLIUM COPPER PER ASTM B194, B196 OR B197, ALLOY No. UNS C17200 OR C17300.
- LOCK RING: SILICONE RUBBER PER A-A-59588, CLASS 2B, GRADE 60/70.
- GASKET: POLYETHERIMIDE (ULTEM 1000) PER ASTM D5205.
- INSULATOR: PASSIVATED PER AMS 2700.
- FINISH: GOLD PER ASTM B488, TYPE II, CODE C, CLASS 1.27, OVER NICKEL PER AMS-QQ-N-290, CLASS 1, .00005"MIN.
- BODY, INSERTS & COUPLING NUT: GOLD PER ASTM B488, TYPE II, CODE C, CLASS 1.27, OVER NICKEL PER AMS-QQ-N-290, CLASS 1, .00005"MIN.

- CONTACT: 50 OHMS
- PERFORMANCE: DC TO 40 GHz.
- IMPEDANCE: 50 OHMS
- FREQ. RANGE: DC TO 40 GHz.

MATERIAL: SEE NOTES	DIMENSIONS ARE IN INCHES TOLERANCES: FRACTIONAL: ±1/64 ANGULAR: X° ±1'0" X°X' ±15'	UNLESS OTHERWISE SPECIFIED 1) ALL DIMENSIONS ARE IN INCHES (MILLIMETERS) 2) ALL DIMENSIONS ARE AFTER PLATING. 3) BREAK CORNERS & EDGES .005 R. MAX. 4) CHAM. 1ST & LAST THREADS. 5) SURFACE ROUGHNESS 63-MIL-STD-10. 6) DIA.'S ON COMMON CENTERS TO BE CONCENTRIC WITHIN .005 T.I.R. 7) REMOVE ALL BURRS	 Amphenol 2400 Centrepark West Drive, Suite 100 West Palm Beach, FL 33409
FINISH: SEE NOTES	DECIMAL: X ±.030 .XX ±.010 .XXX ±.005		
SURFACE AREA: N/A	INTERPRET DIMENSIONS AND TOLERANCES PER ASME Y14.5M - 1994		TITLE: DC-40 GHz 2.4mm JACK TO SVK PLUG ADAPTER
PROPRIETARY THE INFORMATION CONTAINED IN THIS DRAWING IS THE SOLE PROPERTY OF SV MICROWAVE, INC. ANY REPRODUCTION IN PART OR AS A WHOLE WITHOUT THE WRITTEN PERMISSION OF SV MICROWAVE, INC IS PROHIBITED.	THIRD ANGLE PROJECTION	DRAWN: BRT 09/05/02 CHECKED: GPF 10/05/15 APPROVED: DWC 09/12/02	SIZE: B CAGE CODE: 95077 DWG. NO.: SF1116-6003 SCALE: 6:1 SHEET 1 OF 1