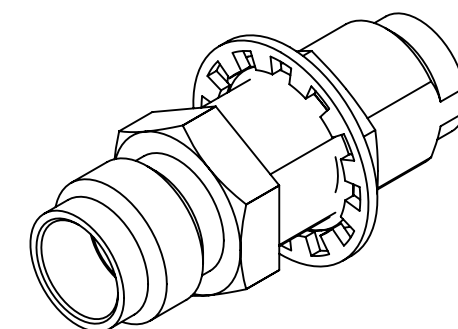
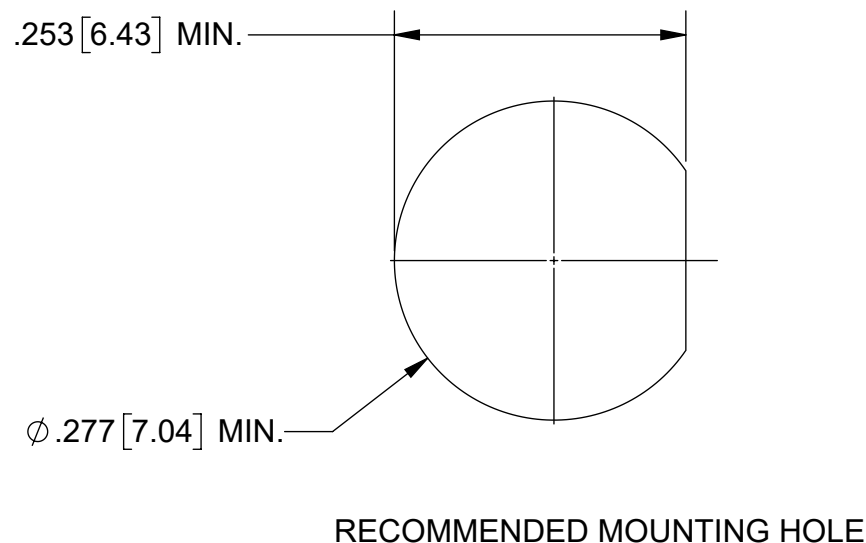
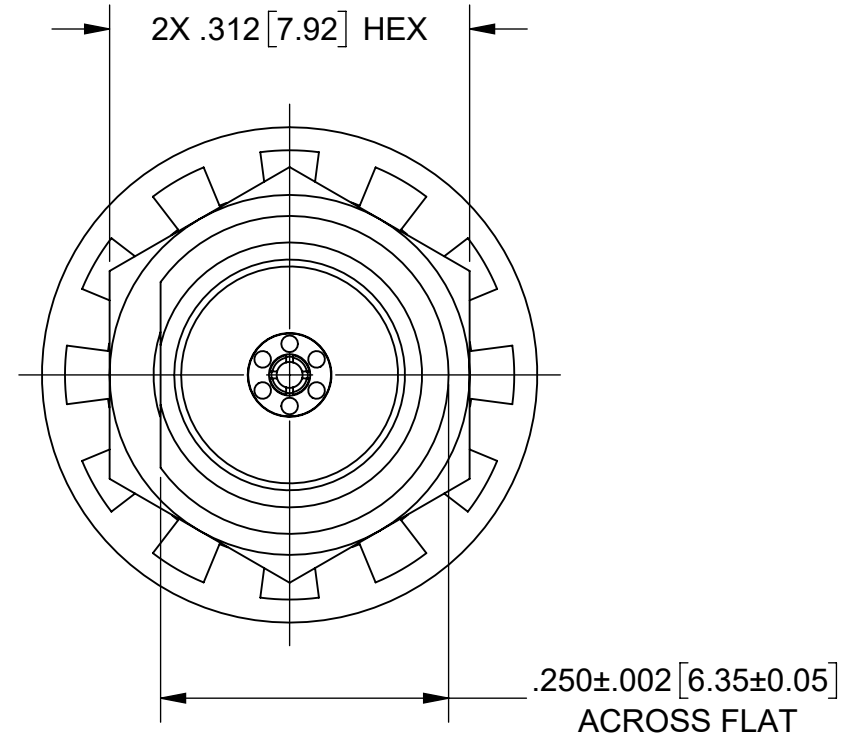
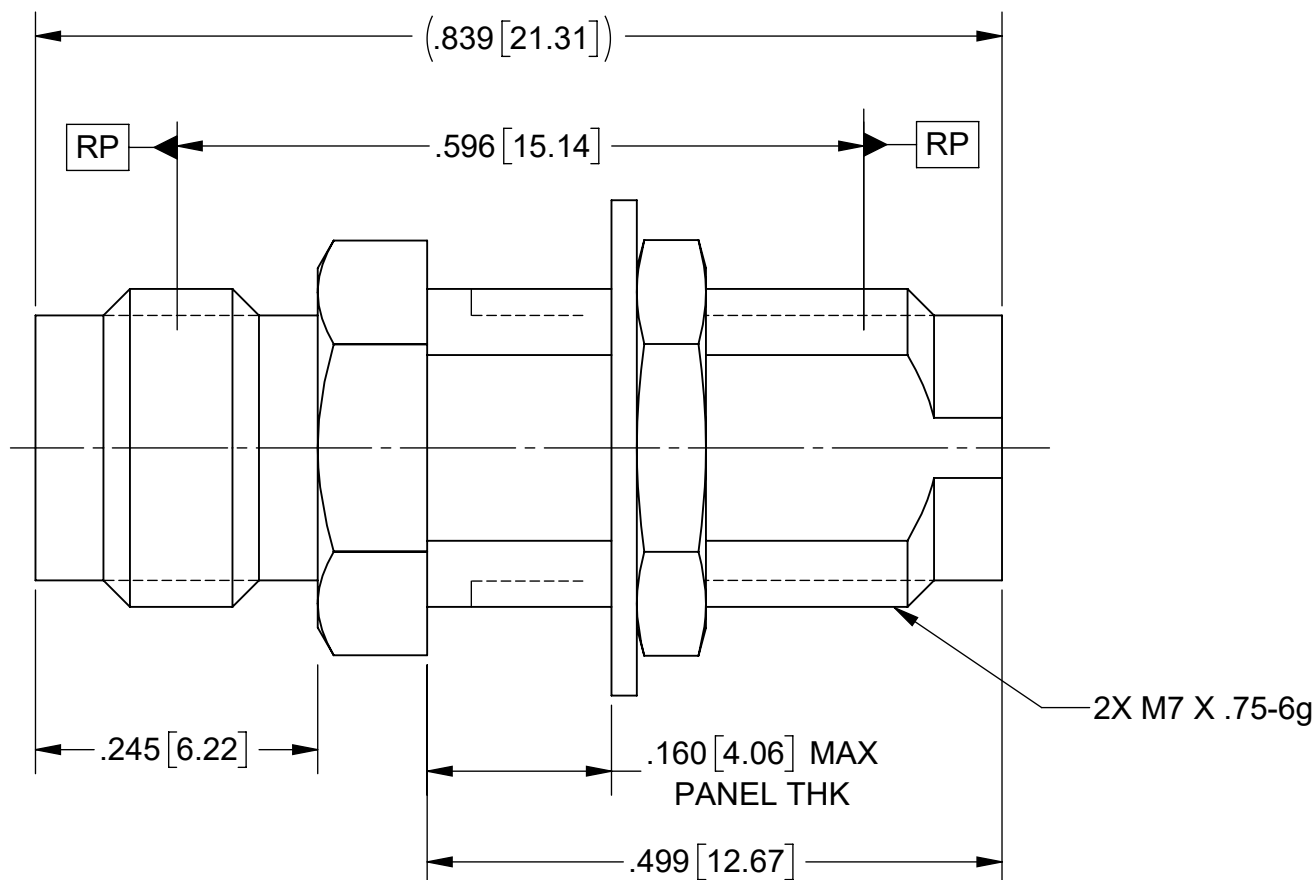


PRODUCT DATA DRAWING

REVISION HISTORY			
REV	DESCRIPTION	DATE	APPROVED
-	DCN 49527	12/19	STW



- MATERIAL:**
LOCKWASHER: 400 SERIES STAINLESS STEEL
BODY, HEX NUT & INSERT: STAINLESS STEEL PER AMS-5640, ALLOY UNS S30300, TYPE 1; OR ASTM A582 TYPE 303, COND. A
CONTACT: BERYLLIUM COPPER PER ASTM B196, ALLOY No. UNS C17300, TD04
DIELECTRIC: POLYETHERIMIDE RESIN (ULTEM 1000) PER ASTM D5205
FINISH:
BODY, HEX NUT, LOCKWASHER & INSERT: PASSIVATED PER AMS-2700.
CONTACT: GOLD PER ASTM B488, TYPE II, CODE C, CLASS 1.27, OVER NICKEL PER AMS-QQ-N-290, CLASS 1, .00005" MIN.

- PERFORMANCE:**
FREQ. RANGE: DC TO 65 GHZ
VSWR: 1.15:1 DC TO 18 GHZ
 1.18:1 18 TO 40 GHZ
 1.25:1 40 TO 50 GHZ
 1.30:1 50 TO 65 GHZ

MATERIAL: SEE NOTES	DIMENSIONS ARE IN INCHES TOLERANCES: FRACTIONAL: ±1/64 ANGULAR: X° ±1'0" X'X' ±15'	UNLESS OTHERWISE SPECIFIED 1) ALL DIMENSIONS ARE IN INCHES (MILLIMETERS) 2) ALL DIMENSIONS ARE AFTER PLATING. 3) BREAK CORNERS & EDGES .005 R. MAX. 4) CHAM. 1ST & LAST THREADS. 5) SURFACE ROUGHNESS 63-MIL-STD-10. 6) DIA.'S ON COMMON CENTERS TO BE CONCENTRIC WITHIN .005 T.I.R. 7) REMOVE ALL BURRS	SV Microwave, Inc. 2400 Centrepark West Drive, Suite 100 West Palm Beach, FL 33409
FINISH: SEE NOTES	DECIMAL: X ±.030 .XX ±.010 .XXX ±.005	INTERPRET DIMENSIONS AND TOLERANCES PER ASME Y14.5M - 1994	TITLE: 1.85 mm FEMALE TO FEMALE ADAPTER
SURFACE AREA: N/A	PROPRIETARY THE INFORMATION CONTAINED IN THIS DRAWING IS THE SOLE PROPERTY OF SV MICROWAVE, INC. ANY REPRODUCTION IN PART OR AS A WHOLE WITHOUT THE WRITTEN PERMISSION OF SV MICROWAVE, INC IS PROHIBITED.	THIRD ANGLE PROJECTION	SIZE: B CAGE CODE: 95077 DWG. NO.: SF1133-6038
		DRAWN: MKK 12/30/19 CHECKED: STW 12/30/19 APPROVED: STW 12/30/19	SCALE: 6:1 SHEET 1 OF 1