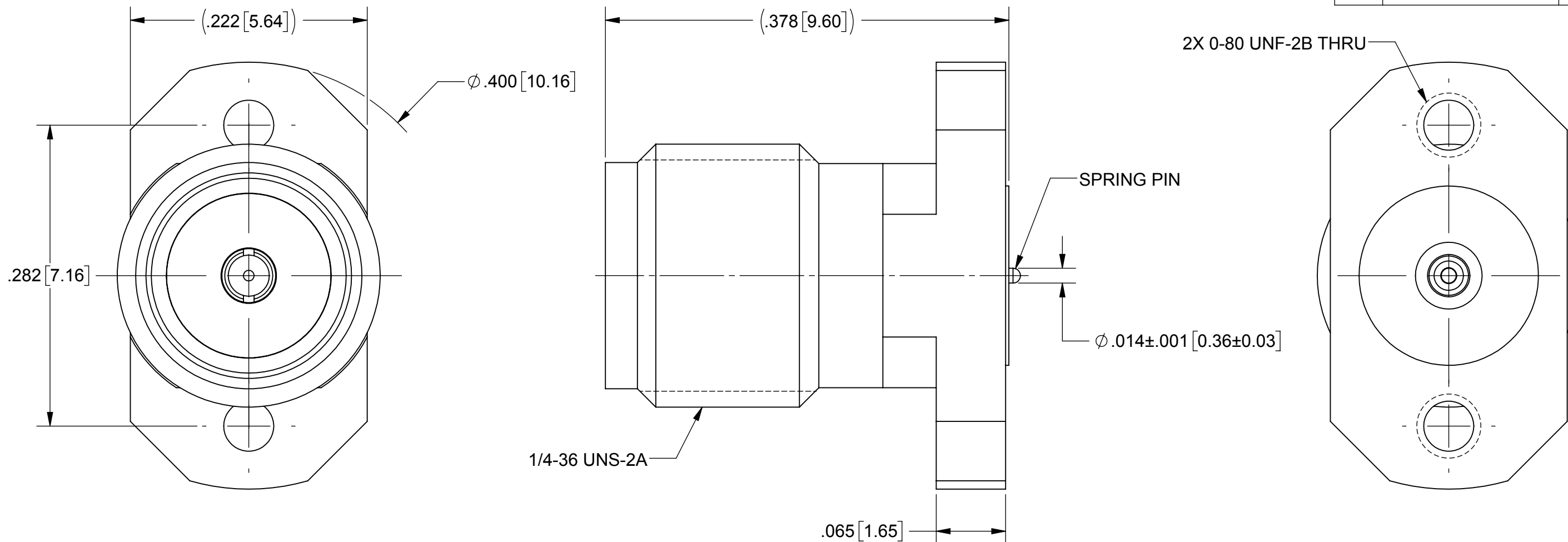


# PRODUCT DATA DRAWING

| REVISION HISTORY |             |       |          |
|------------------|-------------|-------|----------|
| REV              | DESCRIPTION | DATE  | APPROVED |
| -                | DCN 47331   | 04/18 | JMS      |
|                  |             |       |          |



**MATERIAL:**

**BODY:** STAINLESS STEEL PER AMS-5640, ALLOY UNS S30300, TYPE 1; OR ASTM A582 TYPE 303, COND. A

**CONTACTS:** BERYLLIUM COPPER PER ASTM B196, ALLOY No. UNS C17300, TD04

**INSULATOR:** PTFE PER ASTM D1710, TYPE I, GRADE 1, CLASS B

**FINISH:**

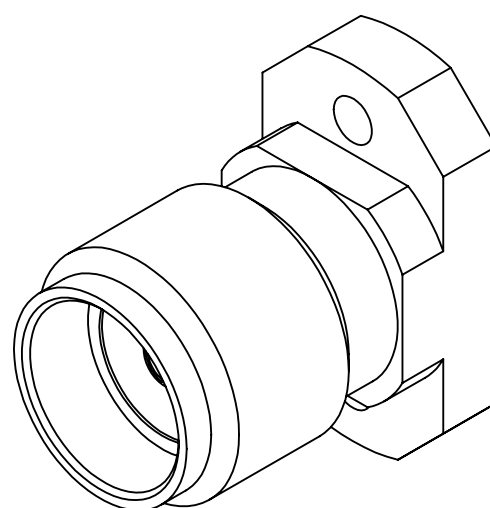
**BODY :** PASSIVATED PER AMS-2700

**CONTACTS:** GOLD PER ASTM B488, TYPE II, CODE C, CLASS 1.27, OVER NICKEL PER AMS-QQ-N-290, CLASS 1, .00005" MIN.

**PERFORMANCE:**

**IMPEDANCE:** 50 OHMS

**FREQ. RANGE:** DC TO 18 GHz.



| SV P/N          | DESCRIPTION           | PCB THICKNESS |
|-----------------|-----------------------|---------------|
| SF2921-61507-1S | INCL. TWO .188 SCREWS | .028 TO .123  |

**NOTES:**

- FOR A FOOTPRINT RECOMMENDATION SPECIFIC TO YOUR PCB, PLEASE CONTACT US AT [applications@svmicro.com](mailto:applications@svmicro.com)

|   |   |   |   |
|---|---|---|---|
| MATERIAL: SEE NOTES   | DIMENSIONS ARE IN INCHES TOLERANCES:<br>FRACTIONAL: $\pm 1/64$ ANGULAR: X° $\pm 1'0''$<br>X°X' $\pm 15''$ | UNLESS OTHERWISE SPECIFIED<br>1) ALL DIMENSIONS ARE IN INCHES (MILLIMETERS)<br>2) ALL DIMENSIONS ARE AFTER PLATING.<br>3) BREAK CORNERS & EDGES .005 R. MAX.<br>4) CHAM. 1ST & LAST THREADS.<br>5) SURFACE ROUGHNESS 63 MIL-STD-10.<br>6) DIA.'S ON COMMON CENTERS TO BE CONCENTRIC WITHIN .005 T.I.R.<br>7) REMOVE ALL BURRS | <br>Amphenol<br>2400 Centrepark West Drive, Suite 100<br>West Palm Beach, FL 33409<br>TITLE:<br><b>SMA FEMALE 2 HOLE FLANGE MOUNT W/ SPRING PIN</b> |
| FINISH: SEE NOTES   | DECIMAL: X $\pm .030$<br>.XX $\pm .010$<br>.XXX $\pm .005$  | INTERPRET DIMENSIONS AND TOLERANCES PER ASME Y14.5M - 1994  |   |
| SURFACE AREA: N/A   | THIRD ANGLE PROJECTION  | DRAWN: VB 04/04/18  | SIZE: <b>B</b> CAGE CODE: <b>95077</b> DWG. NO.: <b>SF2921-61507-1S</b>   |
| PROPRIETARY<br>THE INFORMATION CONTAINED IN THIS DRAWING IS THE SOLE PROPERTY OF SV MICROWAVE, INC. ANY REPRODUCTION IN PART OR AS A WHOLE WITHOUT THE WRITTEN PERMISSION OF SV MICROWAVE, INC IS PROHIBITED. |   | CHECKED: JMS 04/04/18   | SCALE: 10:1   |
|   |   | APPROVED: JMS 04/04/18  | SHEET 1 OF 1  |