

PRODUCT DATA DRAWING

CAD GENERATED DRAWING	DCN CONTROLLED DOCUMENT	DWG. NO. 8018-6173
-----------------------------	-------------------------------	----------------------------------

MATERIAL:

BODY, PRESS CAP
& COUPLING NUT: STAINLESS STEEL PER AMS-5640,
UNS S30300, TYPE 1

CONTACT &
LOCK RING: BERYLLIUM COPPER PER ASTM-B-196,
ALLOY C17300, COND. TD04

INSULATOR: TEFLON PER ASTM-D-1457

GASKET: SILICONE RUBBER PER ZZ-R-765,
CLASS II, GRADE 5-/60

RESISTOR: ALUMINA SUBSTRATE W/ NICHROME
RESISTIVE MATERIAL

FINISH:

BODY: GOLD PER MIL-G-45204, TYPE I,
GRADE C, CLASS 0; OVER NICKEL
PER QQ-N-290, CLASS 2

CONTACT: GOLD PER MIL-G-45204, TYPE I,
GRADE C, CLASS 1; OVER NICKEL
PER QQ-N-290, CLASS 2

COUPLING NUT
& PRESS CAP: GOLD PER MIL-G-45204, TYPE I,
GRADE C, CLASS 00; OVER NICKEL
PER QQ-N-290, CLASS 1

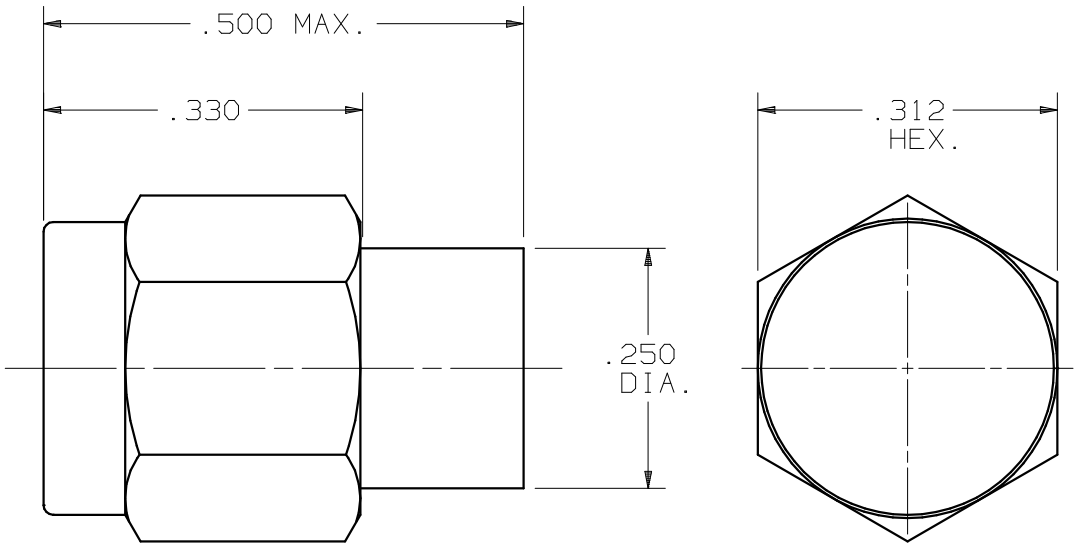
PERFORMANCE:

IMPEDANCE: 50 OHMS

FREQ. RANGE: DC-18.0 GHz

VSWR: DC-4.0 GHz 1.10:1
4.0-12.4 GHz 1.20:1
12.4-18.0 GHz 1.30:1

POWER RATING: .5 WATT



SYM.	DESCRIPTION	DATE	APPR.	UNLESS OTHERWISE SPECIFIED: 1) ALL DIMENSIONS ARE AFTER PLATING. 2) BREAK CORNERS & EDGES .005 R. MAX. 3) CHAM. 1s† & LAST THDS. 4) SURFACE ROUGHNESS 63 J MIL-STD-10. 5) DIAS. ON COMMON CENTERS TO BE CONCENTRIC WITHIN .005 T.I.R. 6) REMOVE ALL BURRS.	DIMENSIONS ARE IN INCHES TOLERANCES:			SV Microwave, Inc. 2400 Centrepark West Drive, Suite 100 West Palm Beach, FL 33409	
	-	REL. DCN 28693	08/02		SW	DECIMALS	FRACTIONAL		ANGULAR
						.X ±.030			X° ±1°0'
						.XX ±.015	±1/64		X°X' ±15'
						.XXX ±.005			
				MATERIAL:	SEE ABOVE			TITLE: SMA PLUG TERMINATION	
				DRAWN: BRT 8/02/02	FINISH:	SEE ABOVE	AREA: N/A	DWG. NO. 8018-6173	
				CHECKED: STW 8/05/02	SIZE	A	CAGE NO.	SCALE	
				APPROVED: STW 8/05/02			95077	N/A	