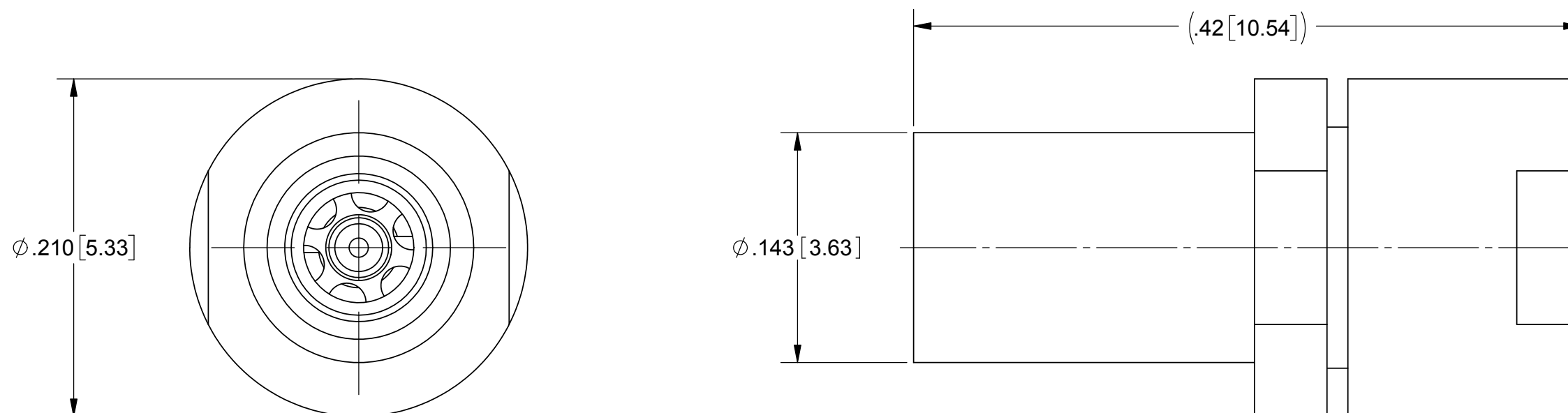
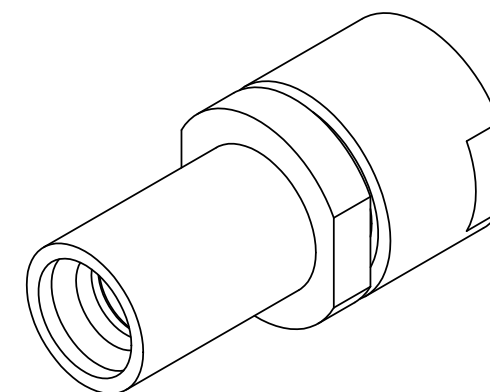


PRODUCT DATA DRAWING

REVISION HISTORY			
REV	DESCRIPTION	DATE	APPROVED
-	REL. NRN 41619	06/05/17	STW



- MATERIAL:
- BODY & CAP: STAINLESS STEEL PER AMS-5640, ALLOY UNS S30300, TYPE 1, OR ASTM A582, TYPE 303, CONDITION A.
- CONTACT & SLEEVES: BERYLLIUM COPPER PER ASTM B196, ALLOY No. UNS C17300, TD04.
- INSULATORS: POLYETHERIMIDE (ULTEM 1000) PER ASTM D5205.
- RESISTOR ELEMENT: ALUMINUM NITRIDE SUBSTRATE WITH TANTALUM NITRIDE RESISTOR WITH GOLD PLATED TERMINALS.
- BELLOWS SPRING: ELECTRO-DEPOSITED NICKEL, GOLD PLATED.
- FINISH:
- CONTACT: GOLD PER ASTM B488, TYPE II, CODE C, CLASS 1.27, OVER NICKEL PER AMS-QQ-N-290, CLASS 1, .00005" MIN.
- MATING BODY: PASSIVATED PER AMS 2700
- PERFORMANCE:
- IMPEDANCE: 50 OHMS
- FREQ. RANGE: DC TO 40.0 GHz
- VSWR: 1.15+.011F(F IN GHz):1 DC TO 40.0 GHz



MATERIAL: SEE NOTES	DIMENSIONS ARE IN INCHES TOLERANCES: FRACTIONAL: $\pm 1/64$ ANGULAR: X° $\pm 1'0''$ X°X' $\pm 15''$	UNLESS OTHERWISE SPECIFIED 1) ALL DIMENSIONS ARE IN INCHES (MILLIMETERS) 2) ALL DIMENSIONS ARE AFTER PLATING. 3) BREAK CORNERS & EDGES .005 R. MAX. 4) CHAM. 1ST & LAST THREADS. 5) SURFACE ROUGHNESS 63-MIL-STD-10. 6) DIA.'S ON COMMON CENTERS TO BE CONCENTRIC WITHIN .005 T.I.R. 7) REMOVE ALL BURRS	SV Microwave, Inc. 2400 Centrepark West Drive, Suite 100 West Palm Beach, FL 33409 TITLE: SMPM FD MALE 1/2W TERMINATION	
FINISH: SEE NOTES	DECIMAL: X $\pm .030$.XX $\pm .010$.XXX $\pm .005$			
SURFACE AREA: N/A	INTERPRET DIMENSIONS AND TOLERANCES PER ASME Y14.5M - 1994		DRAWN: JMC 06/05/17	
PROPRIETARY THE INFORMATION CONTAINED IN THIS DRAWING IS THE SOLE PROPERTY OF SV MICROWAVE, INC. ANY REPRODUCTION IN PART OR AS A WHOLE WITHOUT THE WRITTEN PERMISSION OF SV MICROWAVE, INC IS PROHIBITED.	THIRD ANGLE PROJECTION		CHECKED: STW 06/05/17	
			APPROVED: STW 06/05/17	
			SIZE: B	CAGE CODE: 95077
			DWG. NO. SF8032-6014	SCALE: 12:1
				SHEET 1 OF 1